

for beams up to 5 m



■ New pocket

■ Self-supporting barrier body

■ Ideal for medium transit frequency

Specifically designed for medium transit frequency, the FAAC 615 range is available also with an articulated beam for low ceilings. For rapid opening, the 615 RAPID version is ideal for beams up to 2.5 m in length.

■ Total safety

Ideal for controlling small and medium private areas, the whole 615 range has an anti-crushing hydraulic safety device, a hydraulic lock to hold the barrier open or closed, manual release by triangular key.

■ Long term reliability

Use of cutting-edge materials and treatments such as cathoresis and niproly, plus tried-and-tested FAAC hydraulic technology, all combine to ensure long-life.

■ Designed to house other technological items

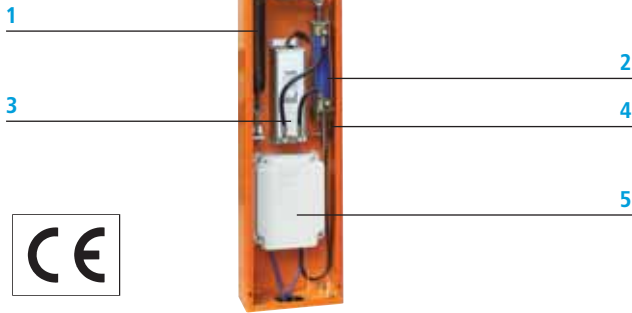
The compartment is designed to house both the 615 BPR electronic equipment, specifically designed for this barrier, and other electronic equipment in the FAAC range. The FAAC 615 barrier is already equipped with limit-switches to accommodate use of optional items and anti-vandal valve.

SPECIFICATIONS

Automatic barrier for beams up to 5m • 40% use frequency (Rapid Version) 50% (Standard Version) • Opening/closing time 3 s. (Rapid Version) 6 s. (Standard Version) • Activation system comprising hydraulic pump unit, double-acting piston, equaliser and transmission shaft • Balancing by extended spring • Internal stops adjustable for open or closed beam positions • Load bearing housing in steel protected by cathoresis treatment and polyester powder paint RAL 2004 • Release device accessible from the outside by triangular key • Hydraulic pump unit with hydraulic locking in open and closed position • Electric motor power supply 230 Vac (+6% -10%) -50 (60) Hz • Electric motor power 220 W • Thermal protection at 120°C built into motor winding • Operating ambient temperature: -20°C ÷ +55°C • Single-phase motor with two rotation directions • Hydraulic gerotor pump (very low-noise) • Pump flow-rate 3,0 l/m (Rapid Version) 1,5 l/m (Standard Version) • Torque from 0 to 300 Nm (Rapid Version)/from 0 to 400 Nm (Standard Version) • Die-cast distribution flange • Separate adjustment of opening and closing power by by-pass valve • Tank in anodised aluminium • Mineral hydraulic oil with additives • Designed to accommodate standard rectangular beams, standard beams with skirt (4 m), standard articulated beams

615 BPR electronic card

Power supply 230 Vac (+6%-10%) 50 Hz • Absorbed power 4 W • Motor max. load 800 W • Accessories max. current 250 mA • Operating ambient temperature -20°C ÷ 55°C • Fuses 2 • Operating logics B/C – B – C – EP – AP – P - Default = EP • Work time (time-out): Self-learning (0-10 min in 2,5 sec steps) - Default=10 min • Pause time: Self-learning (0-5 min in 2,5 sec steps) - Default=30 min • Terminal board inputs: Open – Close – Stop – Limit-switch - Closing safety devices - Power supply • Terminal board outputs: Motor – Flashlight – courtesy light and power supply to accessories • Programmable functions: Operation for barrier or up-and-over - Logic • Functions through learning: Work time – Pause time



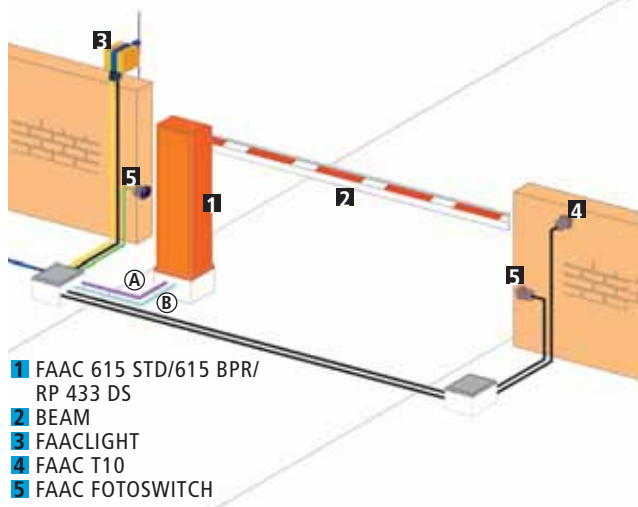
- 1 Balancing spring
- 2 Double-acting piston
- 3 Hydraulic control unit
- 4 Release device by triangular key
- 5 Electronic equipment



Technical characteristics of 615 BPR control board

Power supply	230 Vac (+6%-10%) 50 Hz
Absorbed power	4 W
Motor max. load	800 W
Accessories max. current	250 mA
Operating ambient temperature	-20°C ÷ +55°C
Fuses	2
Operating logics	B/C – B – C – EP – AP – P Default = EP
Work time (time-out)	Self-learning (0-10 min in 2,5 sec steps) Default=10 min
Pause time	Self-learning (0-5 min in 2,5 sec steps) Default=30 min
Terminal board inputs	Open – Close – Stop – Limit-switch - Closing safety devices - Power supply
Terminal board outputs	Motor – Flashlight – courtesy light and power supply to accessories
Programmable functions	Operation for barrier or up-and-over - Logic
Functions through learning	Work time – Pause time

INSTALLATION LAYOUT



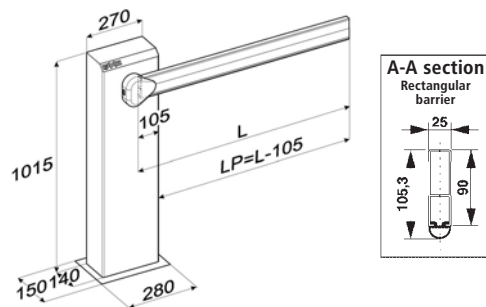
- 1 FAAC 615 STD/615 BPR/ RP 433 DS
- 2 BEAM
- 3 FAACLIGHT
- 4 FAAC T10
- 5 FAAC FOTOSWITCH

Low voltage cabling		Power cabling (230V)	
A	3 cables 3x0,5	B	1 cable 2x1,5+T
	1 cable 2x0,5		1 cable 2x1,5
N.B: Cable diameters in mm ²			

Technical characteristics	615 STD	615 RAP.
Power supply	230 Vac (+6% -10%) 50 (60) Hz	
Electric motor	single-phase, bi-directional	
Absorbed power	220 W	
Absorbed current	1 A	
Motor rotation speed	1.400 rpm	2.800 rpm
Pump flow rate	1.5 l/min.	3 l/min
Thermal protection on motor winding	120°C	
Effective torque	0÷400 Nm	0÷300 Nm
Operating ambient temperature	-20°C ÷ +55°C	
Weight	34 kg	
Type of oil	FAAC HP OIL	
Barrier body treatment	Cataphoresis	
Paint	Polyester RAL 2004	
Protection class	IP 44	
Max. consecutive cycles (at 20°)	220	340
Type of rectangular beam	standard - standard with skirt (4m) - standard articulated	standard
Limit-switches	standard	

Model	Use			Control board
	Beam max. length (m)	Opening time (s)	Use frequency (cycles/hour)	
615 STANDARD	5,00	6	50	615 BPR included
615 RAPID	2,50	3	40	615 BPR included

DIMENSIONS



Values in mm



FAAC S.p.A. via Benini, 1
40069 Zola Predosa - Bologna (Italy)
Tel. +39 051 61724 · Fax +39 051 758518
www.faacgroup.com

